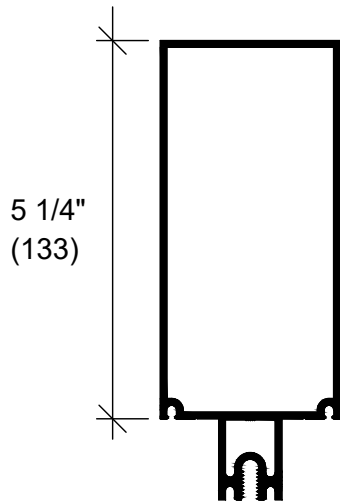




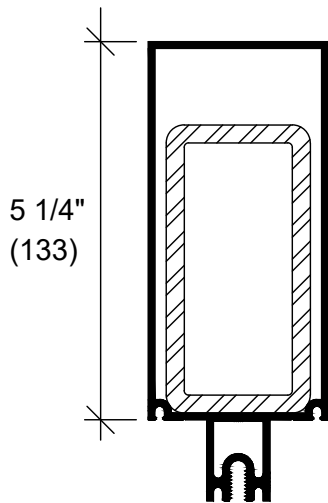
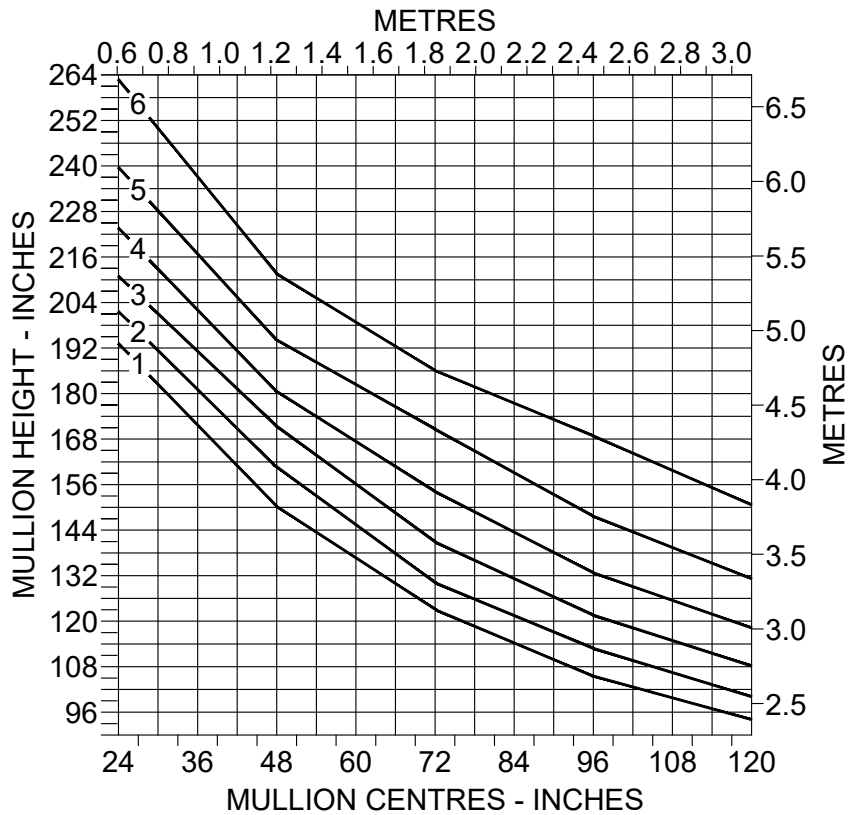
2500 SERIES CURTAIN WALL WIND LOAD CHARTS

F12



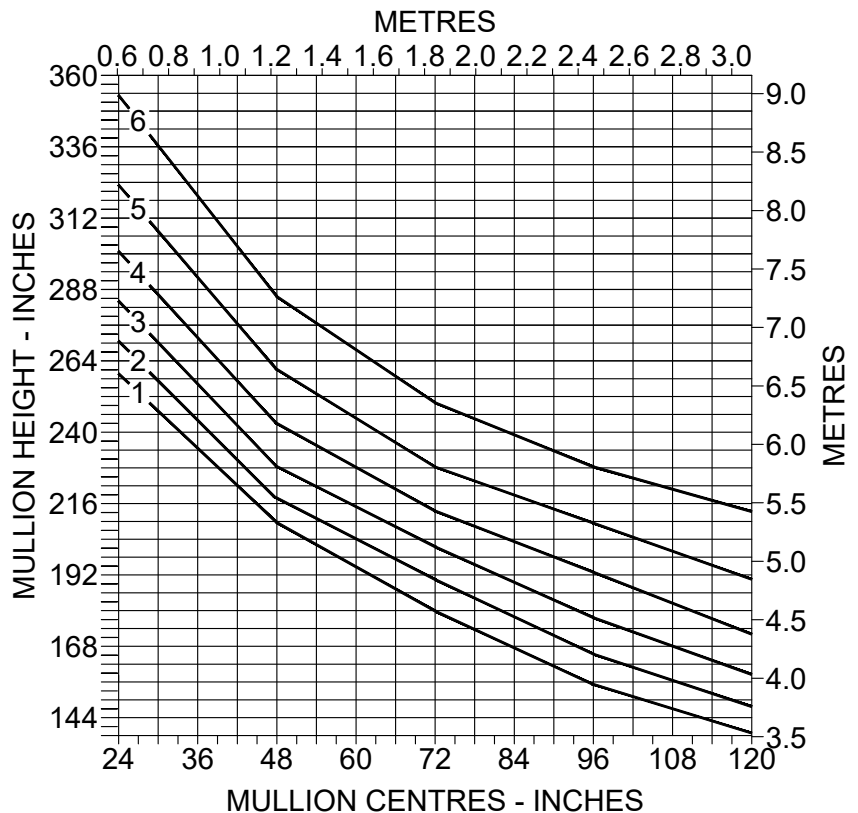
C2530

- ① - 1.92 kPa (40 PSF)
- ② - 1.68 kPa (35 PSF)
- ③ - 1.44 kPa (30 PSF)
- ④ - 1.20 kPa (25 PSF)
- ⑤ - .96 kPa (20 PSF)
- ⑥ - .72 kPa (15 PSF)



C2530
(C/W 4" X 2" X 1/4"
HSS TUBE)

DEFLECTION
CRITERION: L/175 OR L/240+1/4"



Clearly Exceptional

Providing innovative solutions that meet client needs | desa.ca