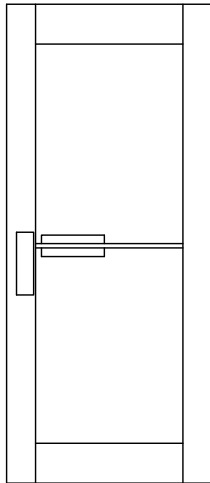




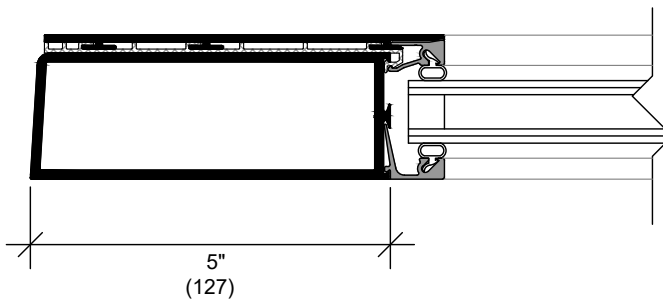
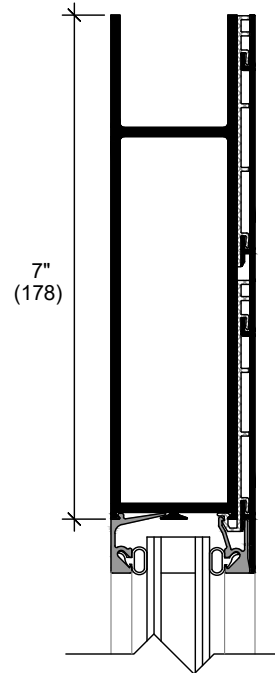
500 T/B SERIES EXTRA WIDE STILE THERMALLY IMPROVED DOOR

A9

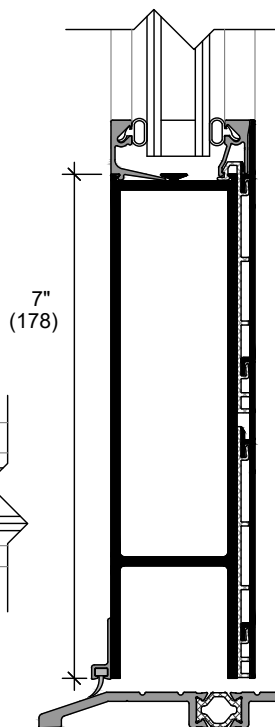


- The T/B series door has been specifically designed to provide an energy efficient exterior entrance for the Canadian climate.
- A continuous rigid PVC separator is mechanically secured to the interior side of the door at all rails and stiles.
- A heavy wall aluminum cladding is interlocked to the PVC separator for a clean appearance and additional strength.
- For single acting entrance doors only (both offset pivot and butt hung).
- Optional mid and bottom rails available and shown on page A14.
- Compatible with most hardware applications and all Desa thermally improved storefront systems.

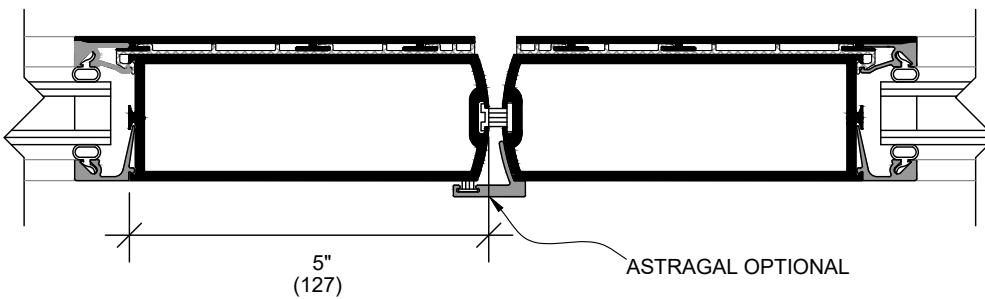
TOP RAIL



STILES (SINGLE ACTING)



BOTTOM RAIL AND THRESHOLD



MEETING STILES

ASTRAGAL OPTIONAL