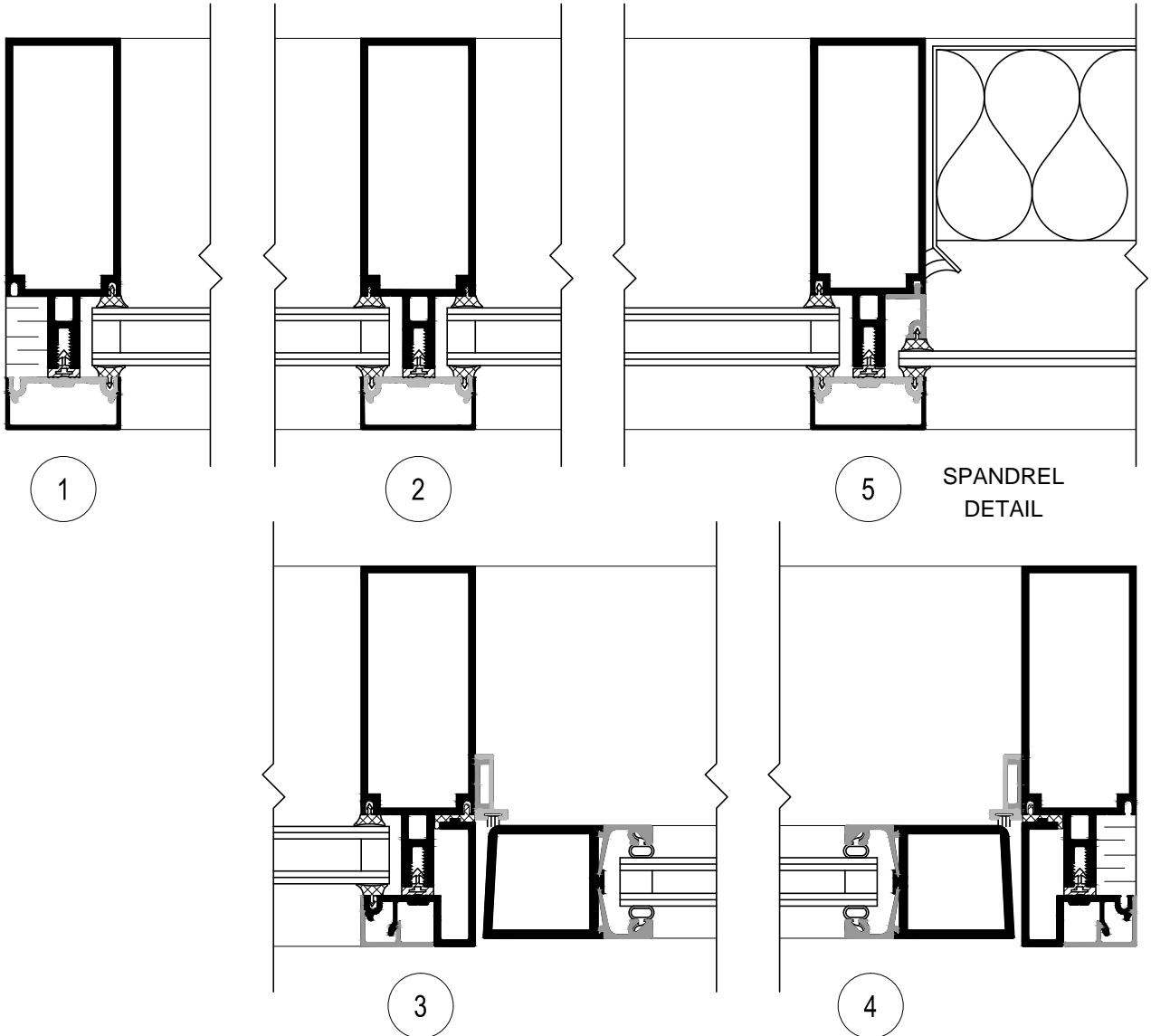
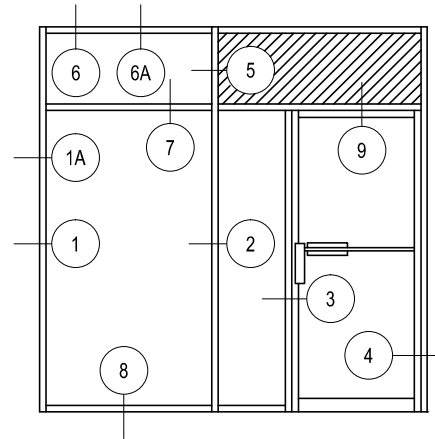


45 SERIES CURTAIN WALL FRAMING DETAILS

E2

- 45 SERIES 1 3/4"(45MM) WIDE THERMALLY IMPROVED CURTAIN WALL FRAMING SYSTEM CAN BE USED FOR VARIOUS APPLICATIONS, SUCH AS STOREFRONTS AND ENTRANCE FRAMING, OR HIGH PERFORMANCE PUNCHED WINDOWS AND HORIZONTAL STRIP WINDOWS.
- RANGE OF MULLION DEPTHS AVAILABLE: 1-15/16"(50MM), 2-15/16"(75MM) OR 3-15/16"(100MM) FOR OPTIMUM STRUCTURAL REQUIREMENTS COMBINED WITH A 3/4" (20MM) EXTERIOR SNAP CAP TO SUIT THE REQUIRED DESIGN PARAMETERS.
- FRAMING SYSTEM OFFERS PRESSURE EQUALIZED RAIN SCREEN CAPABILITIES WITH THE DRY/DRY GLAZING GASKET METHOD AND VENTED HORIZONTAL MULLION GLAZING POCKETS.
- FRAMING SYSTEM ALLOWS FOR EXTERIOR AND INTERIOR COLOUR COMBINATIONS.
- OFFERS A NARROW 1 3/4" SIGHT LINE AND IS TOTALLY COMPATIBLE WITH ALL DESA ENTRANCE DOOR PACKAGES, THERMALLY IMPROVED AND NON THERMALLY IMPROVED TYPE.
- SYSTEM ACCOMMODATES FOR BOTH SEALED UNIT AND SPANDREL GLAZING AND ALSO THE DESA 20 SERIES VENT INSERT WINDOW.



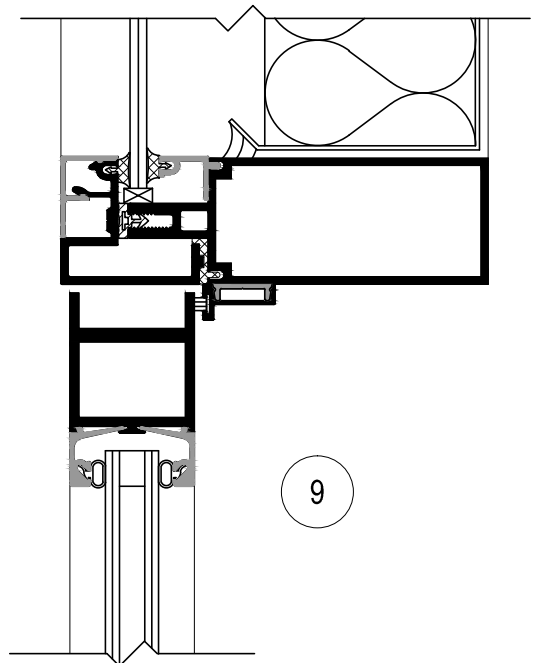
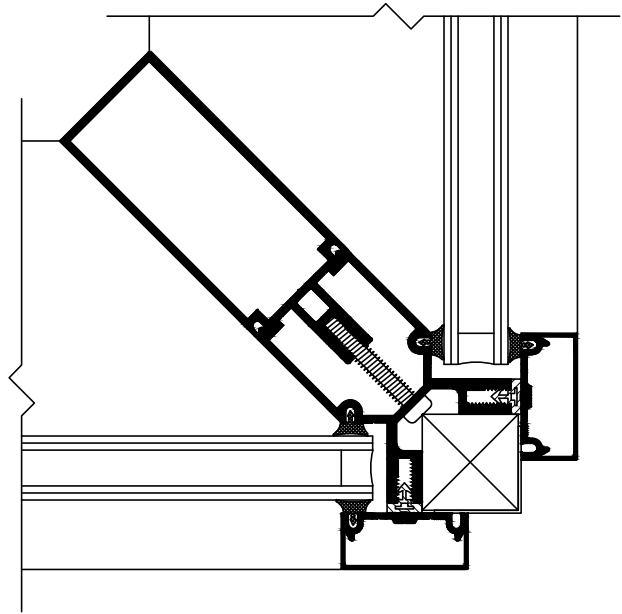
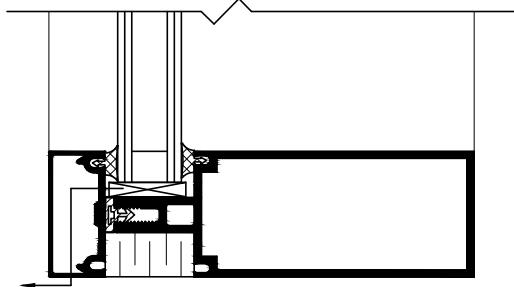
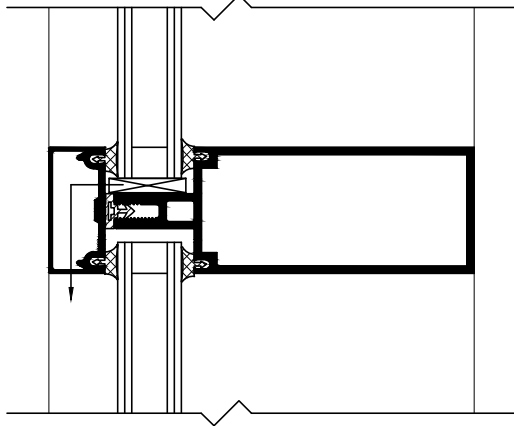
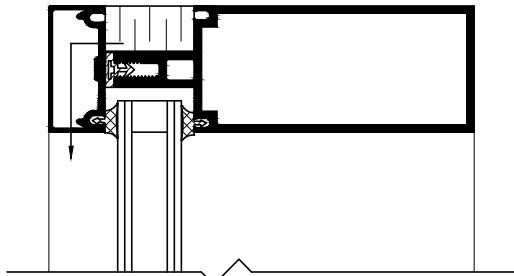
SCALE: 3/8" = 1"



providing innovative solutions that meet client needs.

45 SERIES CURTAIN WALL FRAMING DETAILS

E3



SCALE: 3/8" = 1"

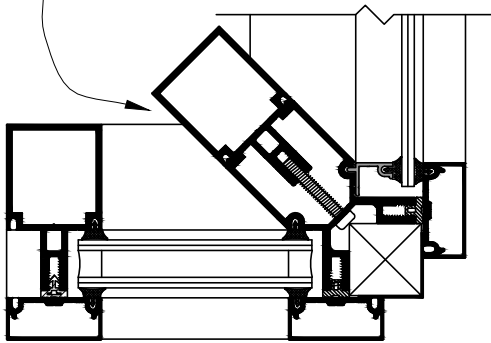


providing innovative solutions that meet client needs.

45 SERIES CURTAIN WALL CORNER DETAILS

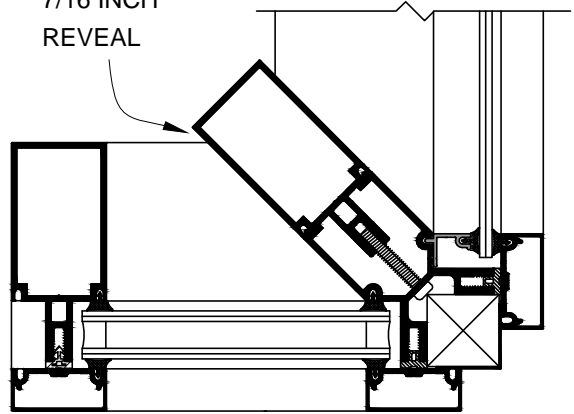
E4

13/16 INCH
REVEAL



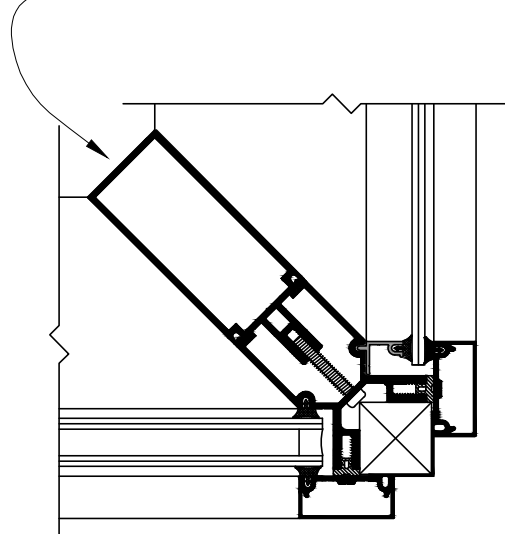
4510

7/16 INCH
REVEAL



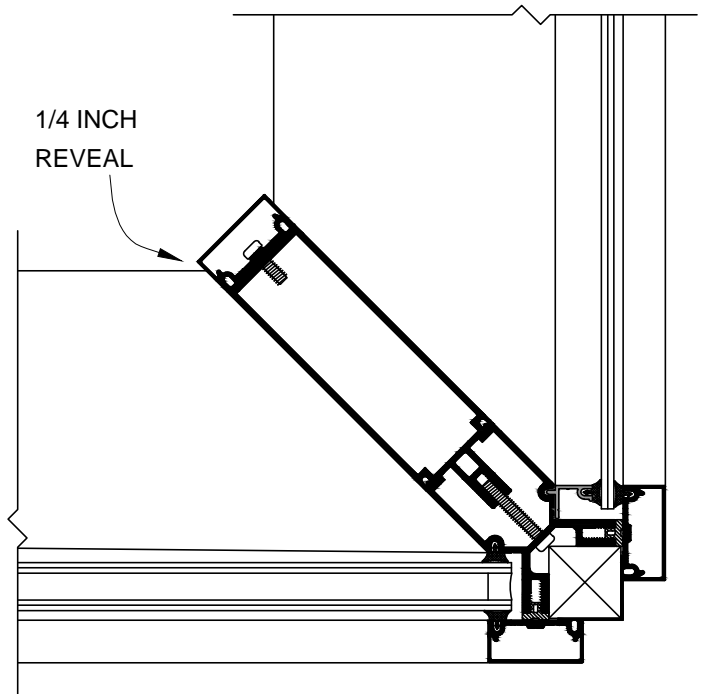
4520

FLUSH TO CORNER



4530

1/4 INCH
REVEAL



4540

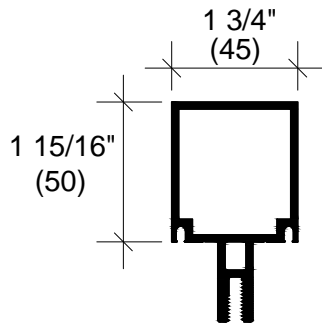
SCALE: 1/4" = 1"



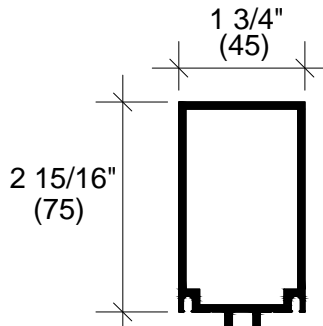
providing innovative solutions that meet client needs.

45 SERIES CURTAINWALL FRAMING PARTS

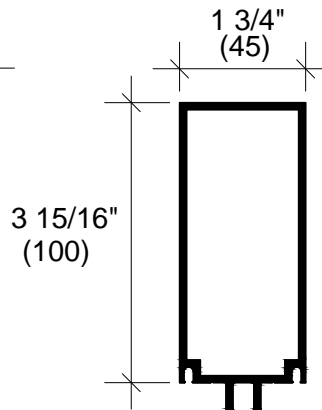
E5



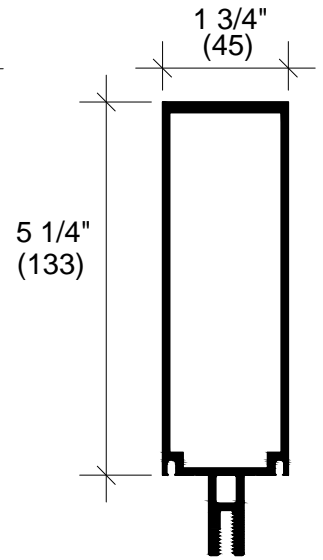
D4510



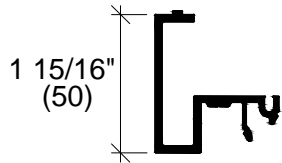
D4520



D4530



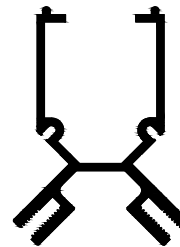
D4540



D4580
DOOR
ADAPTER



D4505
PRESSURE
PLATE



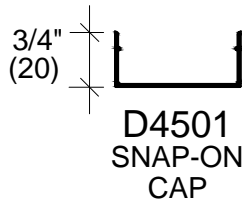
D4560
CORNER
ADAPTER



F2008
DOOR STOP
COVER



D4585
DOOR
ADAPTER
CAP



D4501
SNAP-ON
CAP



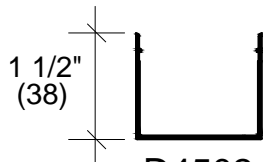
TB300
DOOR ADAPTER
THERMAL BARRIER



F2009
DOOR STOP
BASE



D4570
SINGLE
GLAZING
ADAPTER



D4502
SNAP-ON
CAP



TB634
THERMAL BARRIER



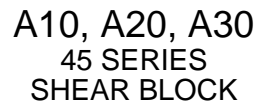
CP10
CORNER PLUG



MH1
PILE WEATHERING



N208
FIXED GLAZING GASKET



A10, A20, A30
45 SERIES
SHEAR BLOCK

SCALE: 3/8" = 1"



providing innovative solutions that meet client needs.