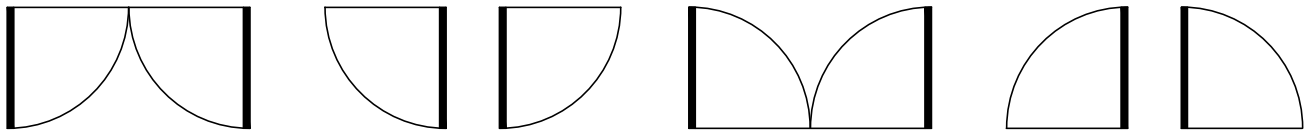
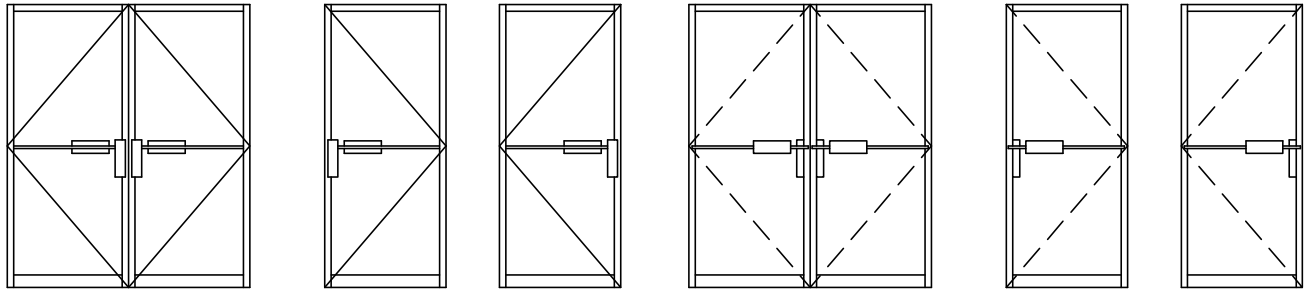


GENERAL ENTRANCE DOOR INFORMATION

A3



R.H.O. L.H.O.
INACTIVE ACTIVE

L.H.O. R.H.O.

L.H.I. R.H.I.
ACTIVE INACTIVE

R.H.I. L.H.I.

OUTSWING

INSWING

EXTERIOR

STANDARD DOOR SIZES

SINGLE DOOR - OPENING SIZES	36" x 84"	(914 mm x 2134 mm)
DOUBLE DOOR - OPENING SIZES	72" x 84"	(1829 mm x 2134 mm)

STANDARD GLASS SIZES

SINGLE GLAZING SEALED UNIT	5 mm GLASS 3/4" (19 mm) OVERALL
-------------------------------	--------------------------------------

100 SERIES DOOR	31-5/8" x 77-1/8"	(804 mm x 1959 mm)
350 SERIES DOOR	28-7/16" x 72-1/8"	(723 mm x 1832 mm)
500 SERIES DOOR	25-7/16" x 68-13/16"	(646 mm x 1748 mm)

THERMALLY IMPROVED DOOR GLASS SIZES

SEALED UNIT	7/8" (22 mm) OVERALL
-------------	------------------------

100T/B SERIES DOOR	31-5/8" x 76 3/16"	(804 mm x 1927 mm)
350T/B SERIES DOOR	28-7/16" x 72-1/2"	(723 mm x 1838 mm)
500T/B SERIES DOOR	25-7/16" x 68-13/16"	(646 mm x 1748 mm)

AVAILABLE GLASS STOPS

SINGLE GLAZED DOOR	SQUARE STOP	
--------------------	-------------	---

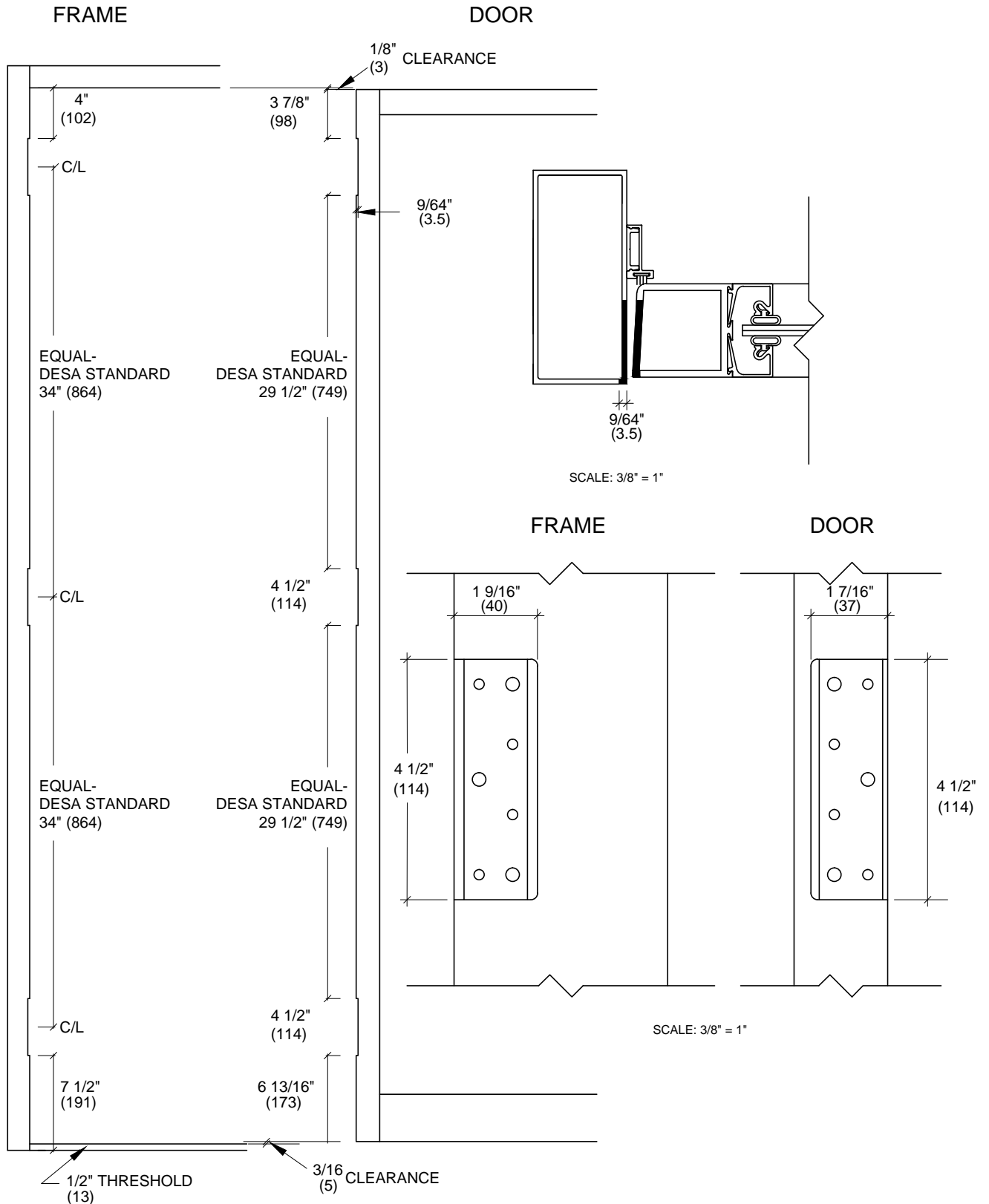
DOUBLE GLAZED DOOR	SEALED UNIT STOP	
--------------------	------------------	---



providing innovative solutions that meet client needs.

BUTT HINGE PREP INFORMATION

A10

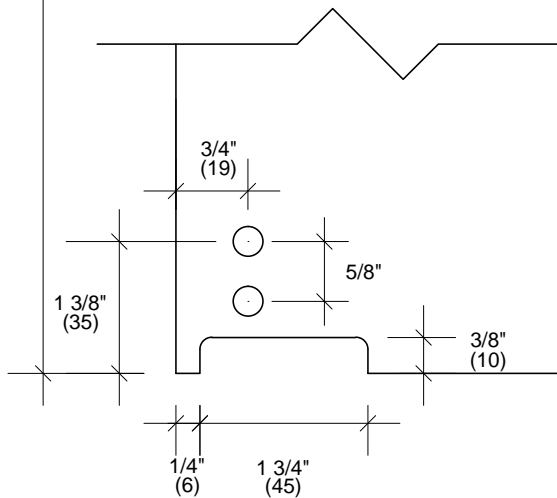
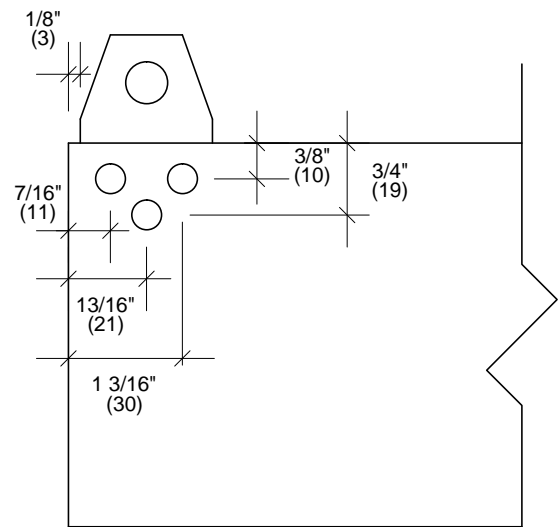
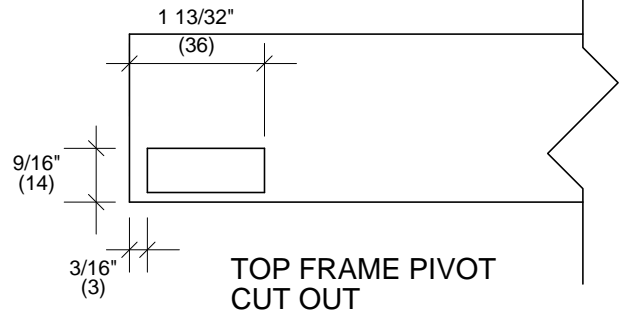
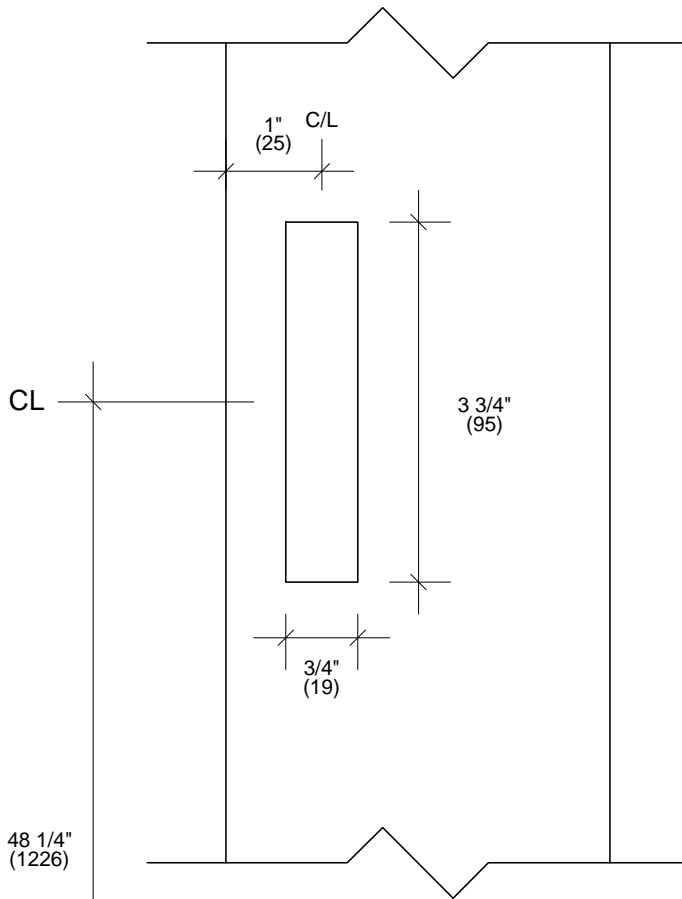


providing innovative solutions that meet client needs.

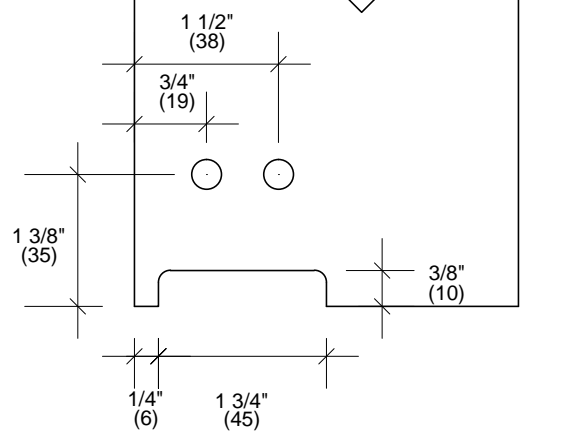
OFFSET PIVOT AND LOCK PREP INFORMATION

A11

STANDARD M.S. LOCK CUTOUT



BOTTOM FRAME PIVOT CUT OUT (1/8" RECESS MOUNT) FOR 3100 NARROW TAB PIVOT



BOTTOM FRAME PIVOT CUT OUT (1/8" RECESS MOUNT) FOR 2600 WIDE TAB PIVOT

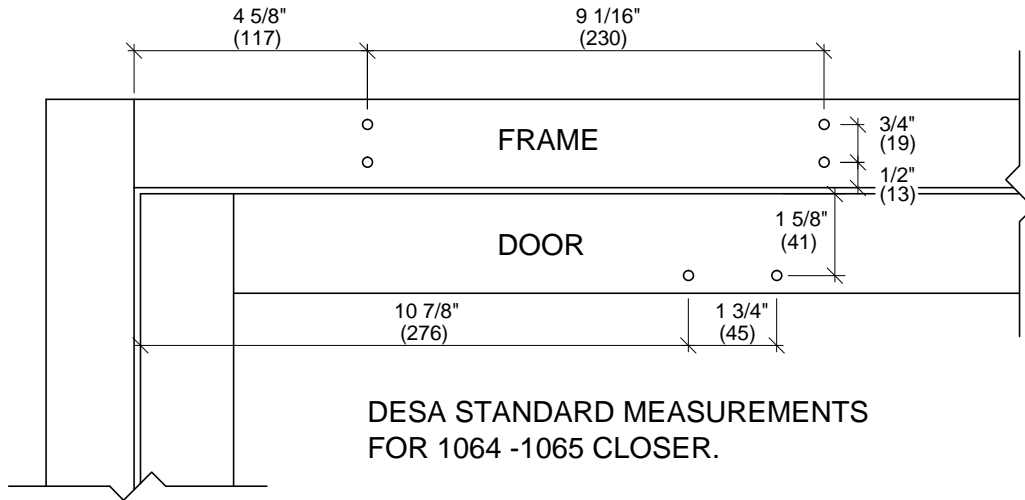
SCALE: 1/2" = 1"



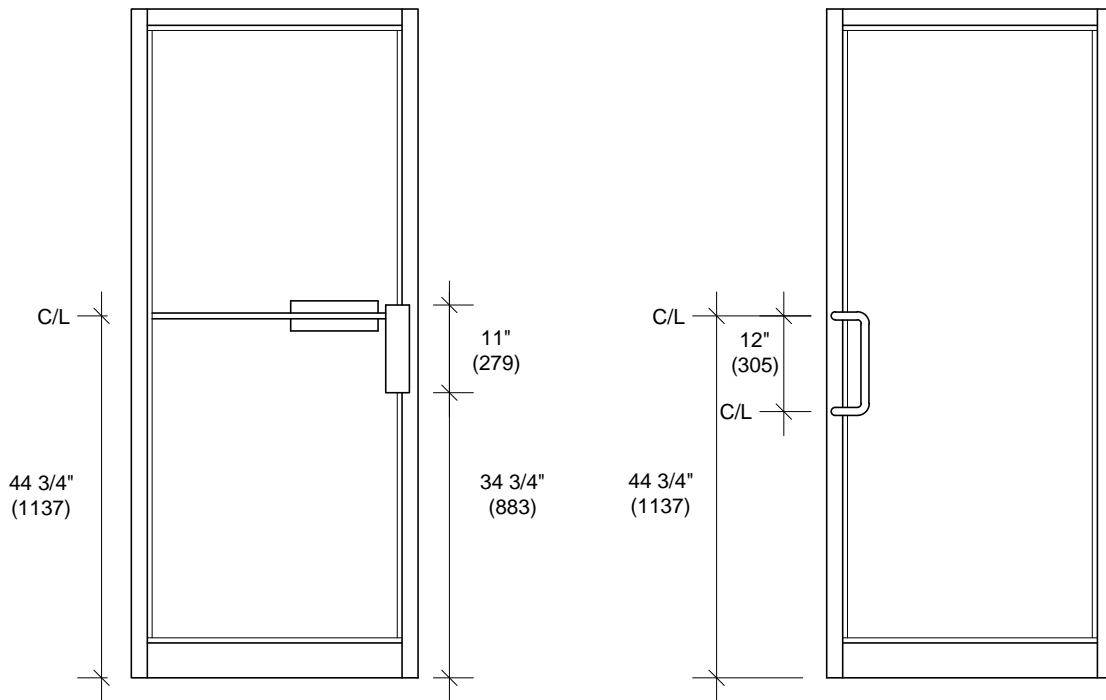
providing innovative solutions that meet client needs.

STANDARD CLOSER AND HANDLE PREP INFORMATION

A12



STANDARD PUSH - PULL PREP LOCATIONS



OFFSET PULL LOCATION
VARIES WITH PANIC HARDWARE



providing innovative solutions that meet client needs.