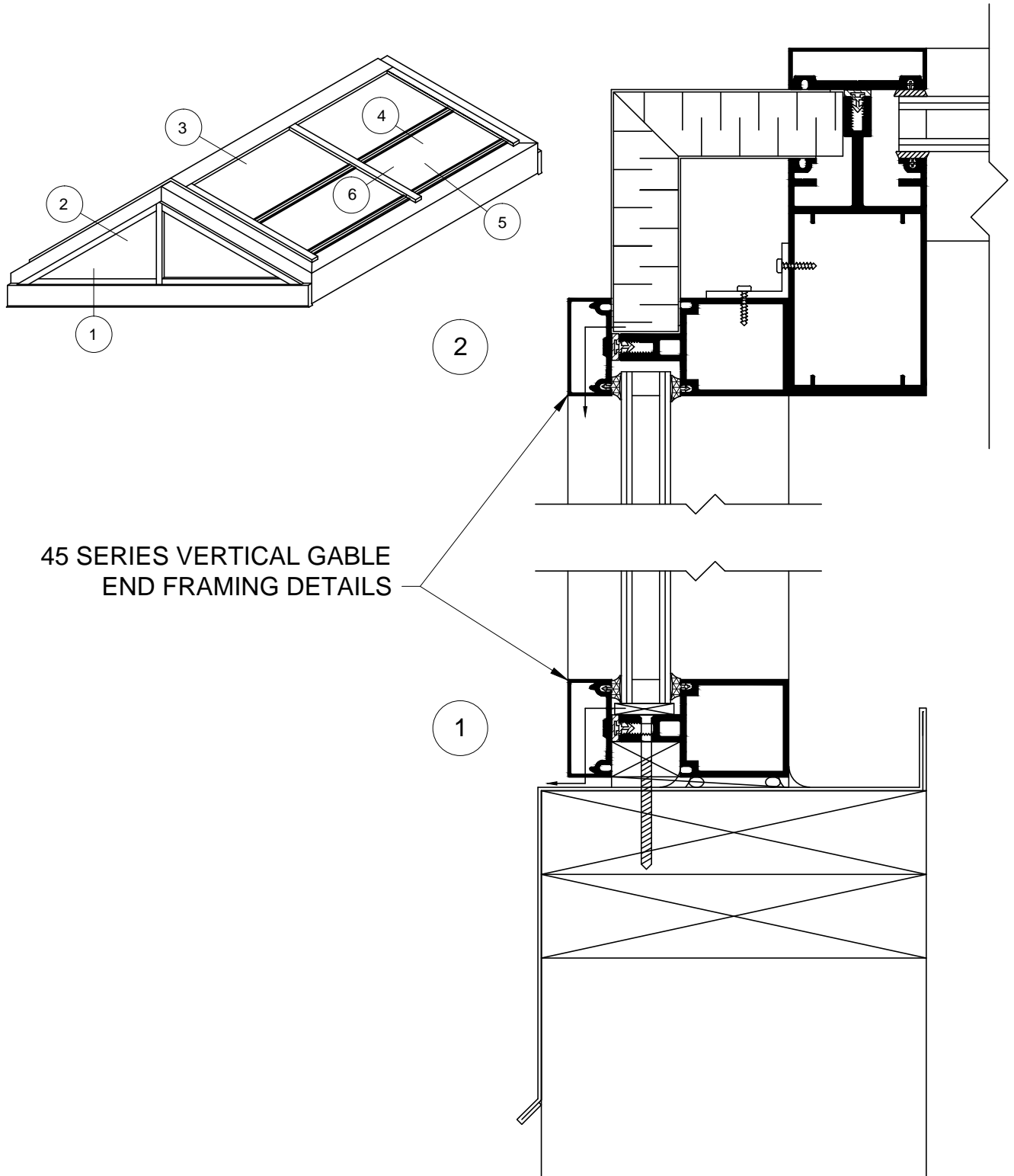


6400 SERIES SKYLIGHT FRAMING DETAILS

F2



45 SERIES VERTICAL GABLE
END FRAMING DETAILS

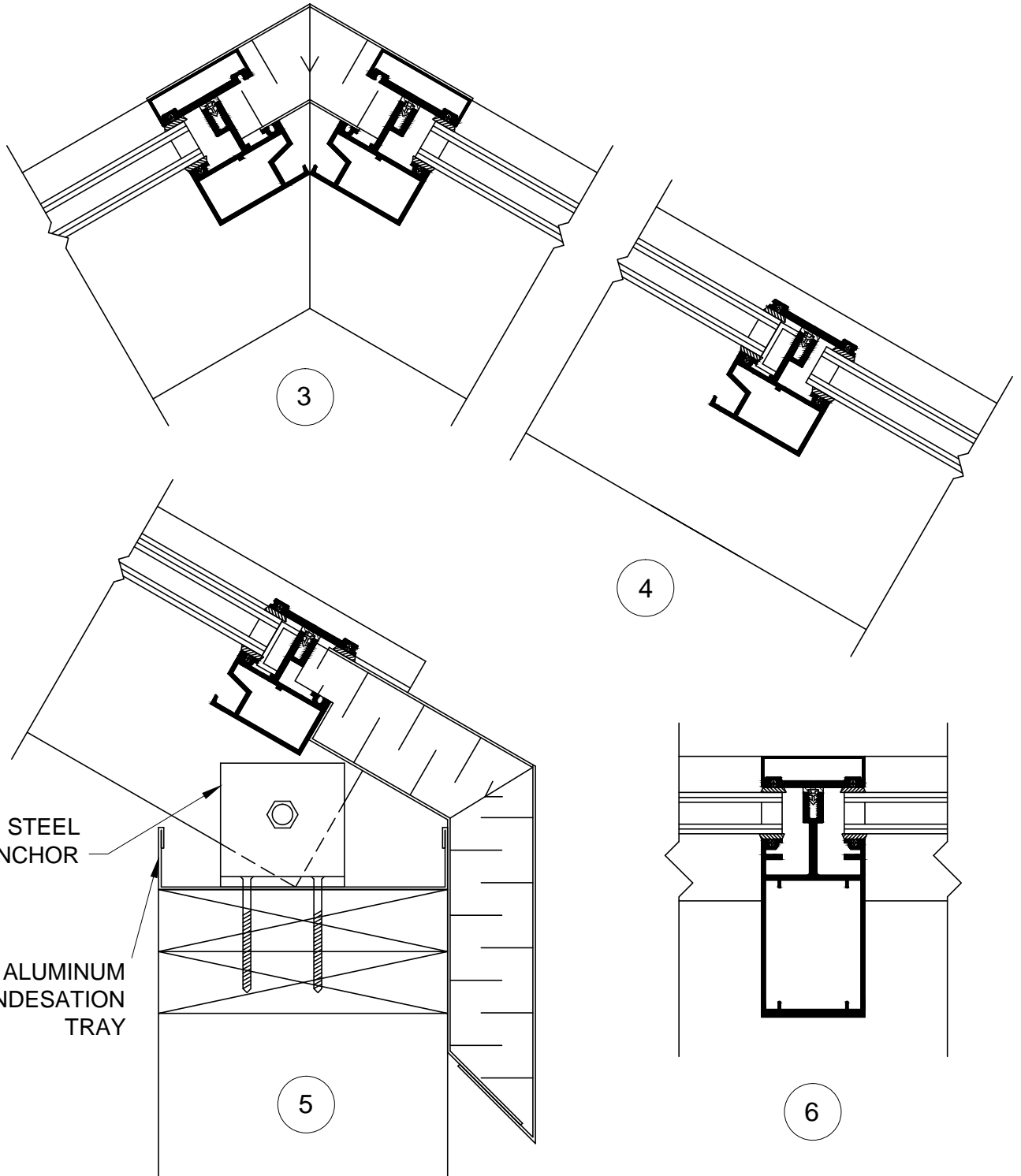
SCALE: 3/8" = 1"



providing innovative solutions that meet client needs.

6400 SERIES SKYLIGHT FRAMING DETAILS

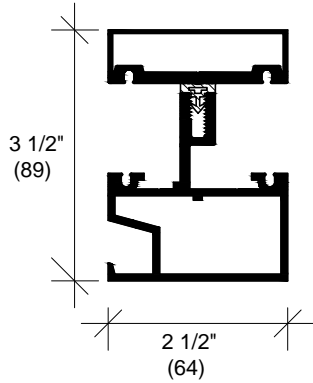
F3



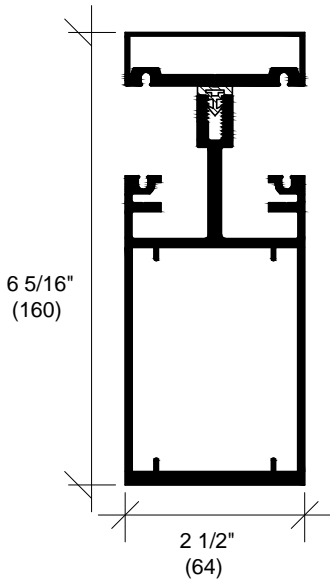
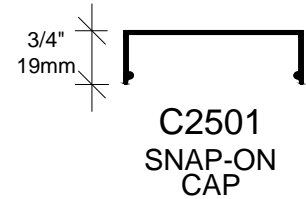
providing innovative solutions that meet client needs.

6400 SERIES SKYLIGHT FRAMING PARTS

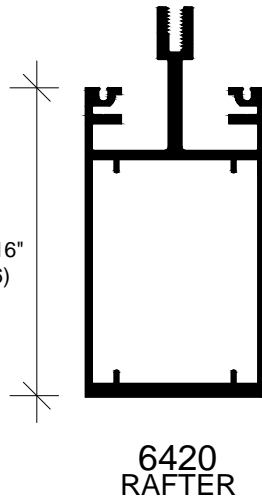
F4



6410
PURLIN



TB205
THERMAL BARRIER



N454
FIXED GLAZING
GASKET



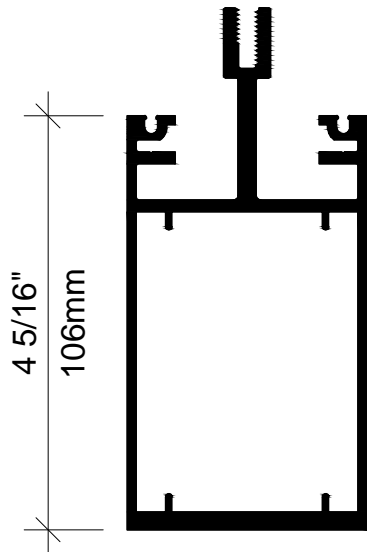
SCALE: 3/8" = 1"



providing innovative solutions that meet client needs.

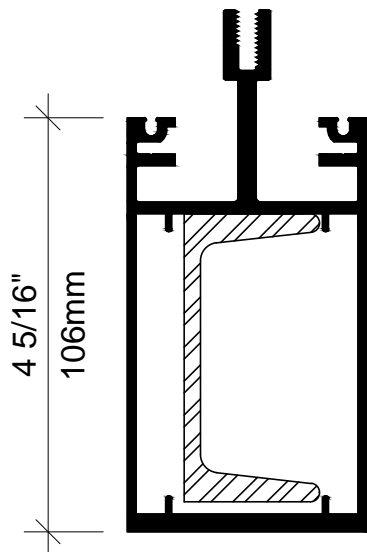
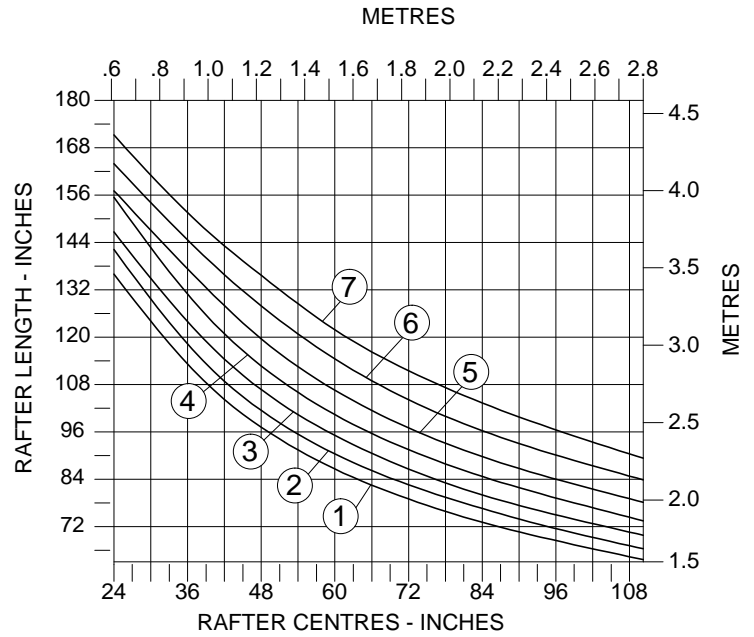
6400 SERIES SKYLIGHT STRUCTURAL LIMITATIONS

F6



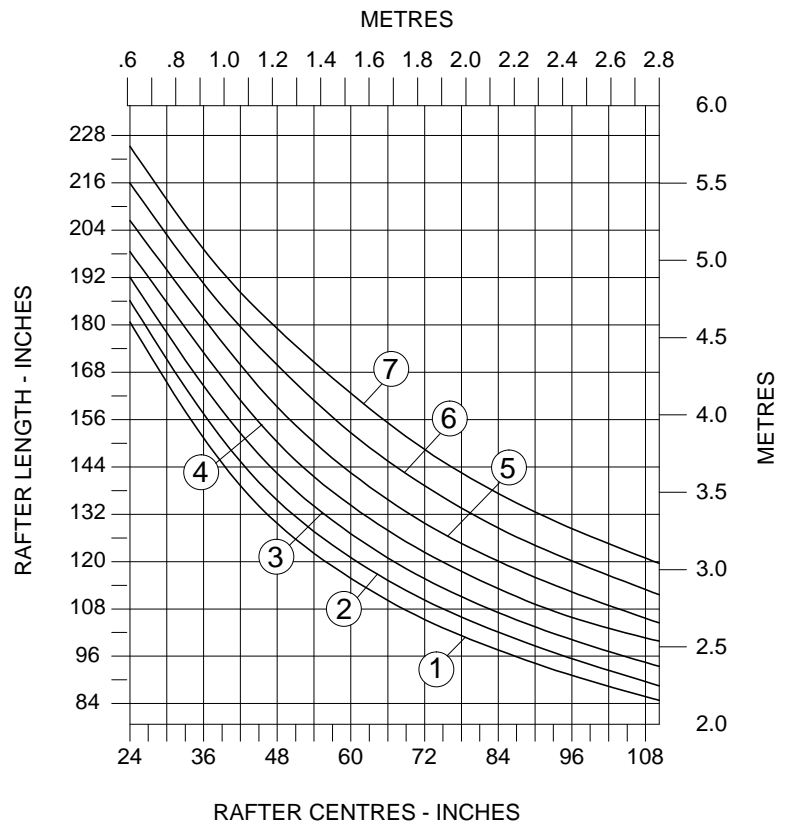
6420

- ① - 2.40 kPa (50 PSF)
- ② - 2.16 kPa (45 PSF)
- ③ - 1.92 kPa (40 PSF)
- ④ - 1.68 kPa (35 PSF)
- ⑤ - 1.44 kPa (30 PSF)
- ⑥ - 1.20 kPa (25 PSF)
- ⑦ - 1.00 kPa (21 PSF)



6420

(C/W C3 X 4.1)



providing innovative solutions that meet client needs.