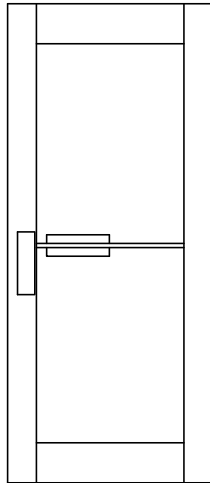
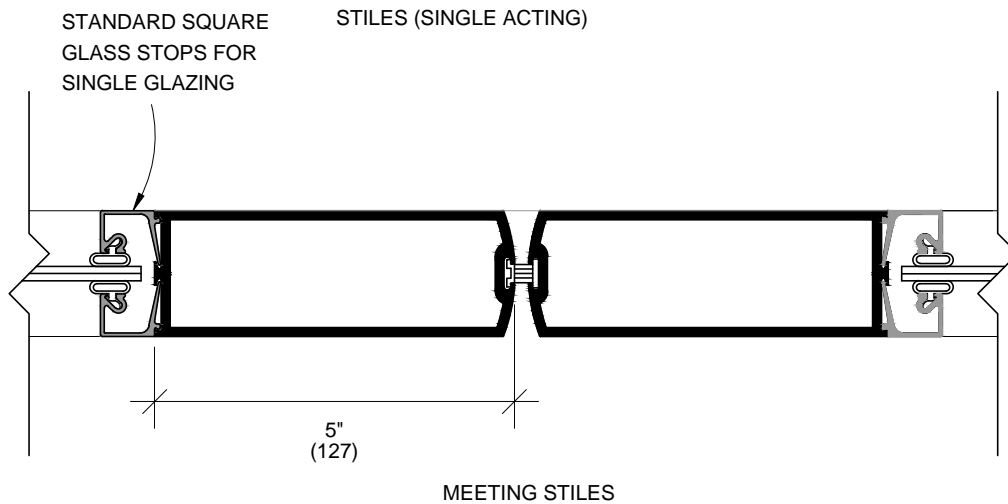
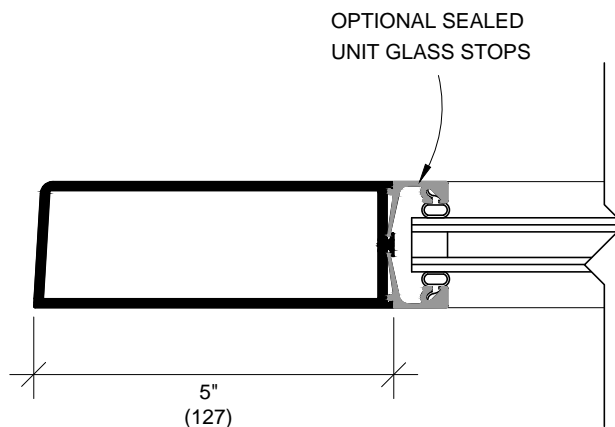
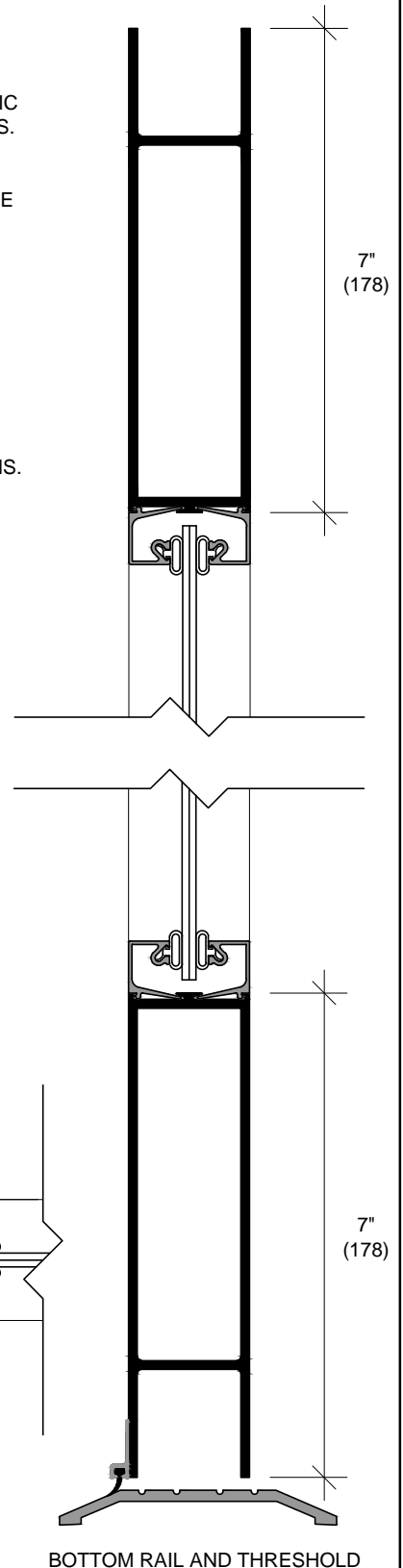


500 SERIES EXTRA WIDE STILE DOOR

A6



- OUR EXTRA WIDE STILE DOOR PROVIDES THE EXTRA STRENGTH AND DURABILITY REQUIRED FOR THE HIGH TRAFFIC USAGE FOUND ON INSTITUTIONAL AND RETAIL INSTALLATIONS.
- ALONG WITH ACCOMMODATING ALL OUR STANDARD HARDWARE, THIS DOOR, BECAUSE OF ITS STILE WIDTH WILL ALSO ACCEPT MANY OF THE INSTITUTIONAL PANIC HARDWARE PRODUCTS AVAILABLE.
- THE ADDITION OF INTERMEDIATE PIVOT OR BUTT HINGE IS RECOMMENDED FOR HIGH TRAFFIC CONDITIONS.
- AVAILABLE WITH VARIOUS TOP, MID AND BOTTOM RAILS SHOWN ON PAGE A13.
- SINGLE GLAZING STOPS ARE SUPPLIED AS STANDARD WITH SEALED UNIT STOPS AS OPTIONAL.
- STANDARD FINISHES INCLUDE CLEAR, BRONZE AND BLACK ANODIZED WITH OPTIONAL LIGHT BRONZE AND PAINTED FINISHES AVAILABLE.
- COMPATIBLE WITH ALL DESA STOREFRONT FRAMING SYSTEMS.



SCALE: 3/8" = 1"

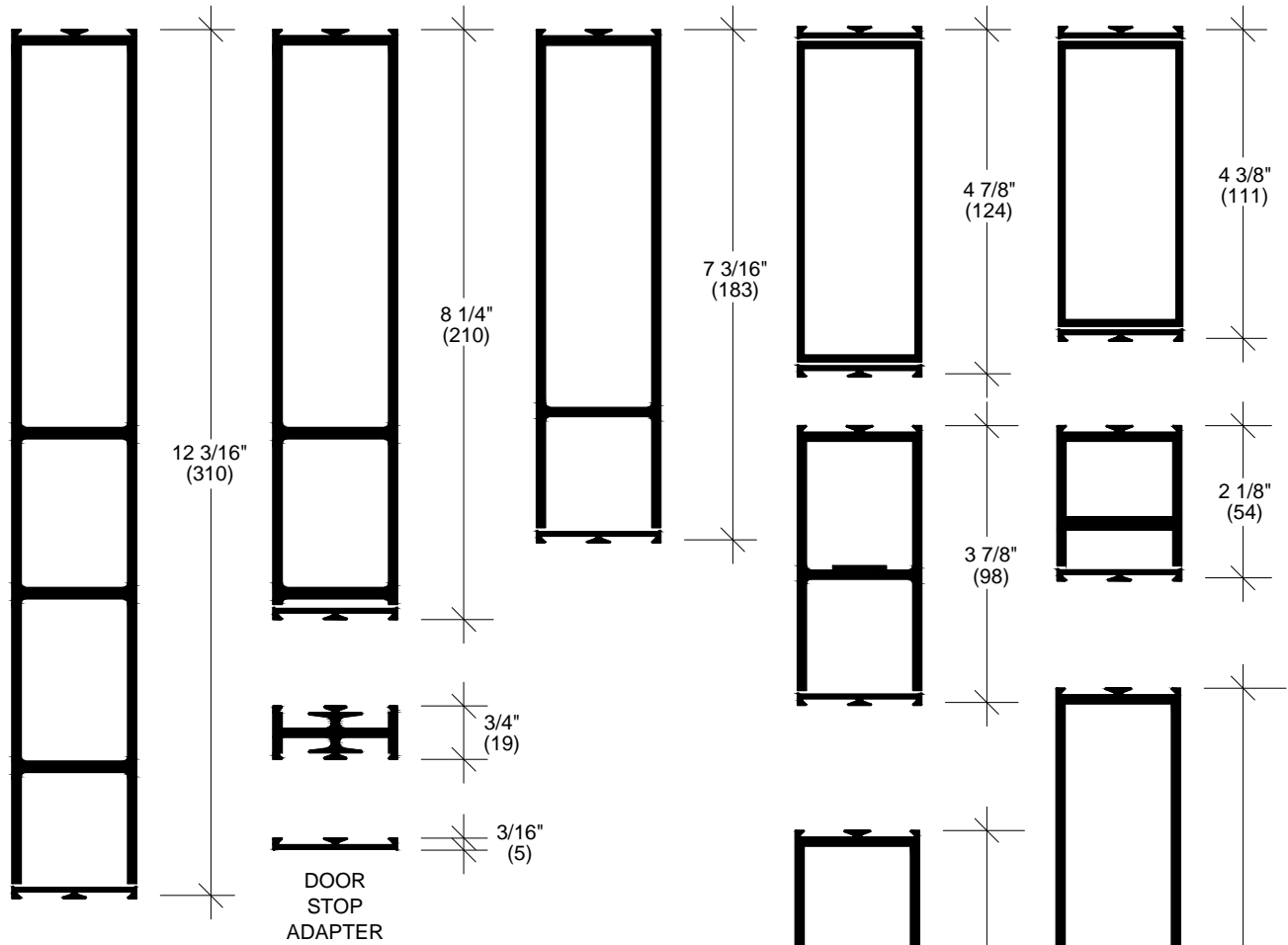


providing innovative solutions that meet client needs.

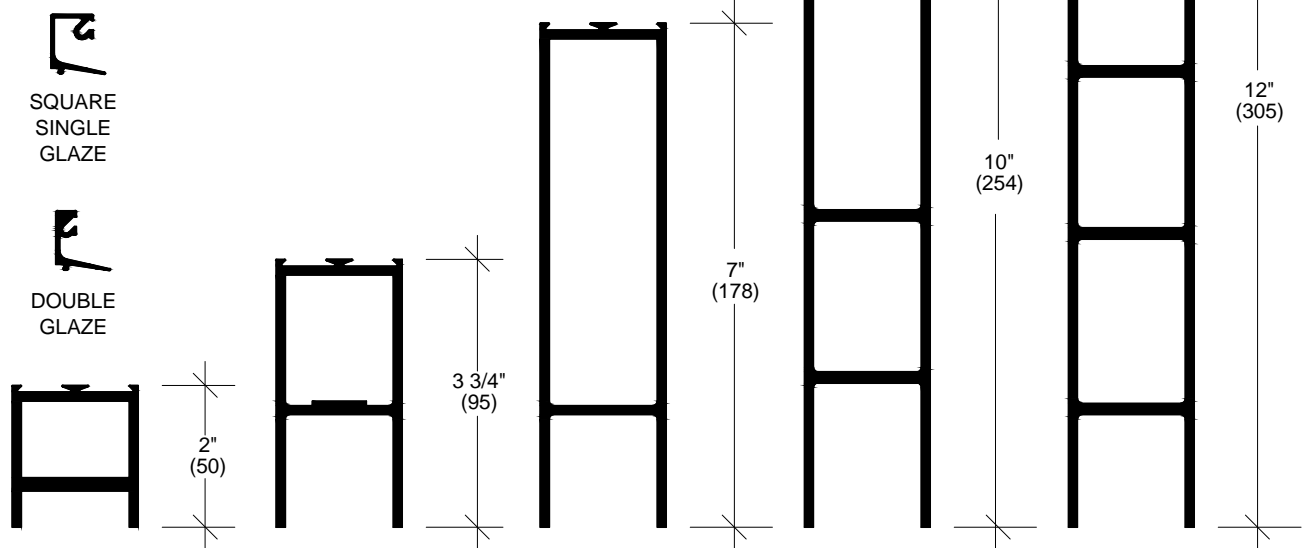
OPTIONAL DOOR RAIL INFORMATION

A13

OPTIONAL HORIZONTAL MID-RAILS



OPTIONAL TOP & BOTTOM RAILS



SCALE: $\frac{3}{8}'' = 1''$



providing innovative solutions that meet client needs.