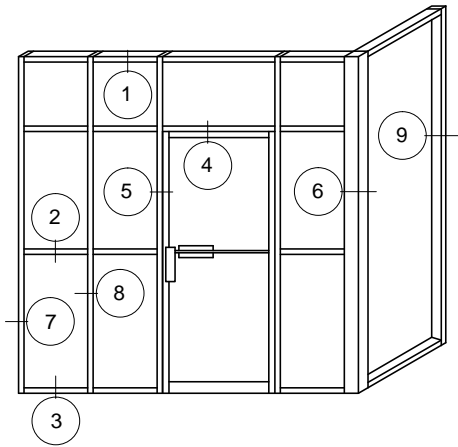
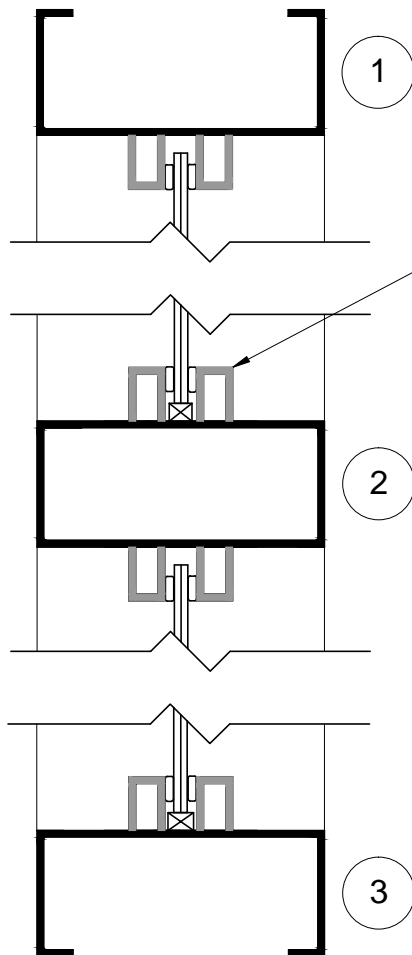


400 SERIES TUBE & STOP DETAILS

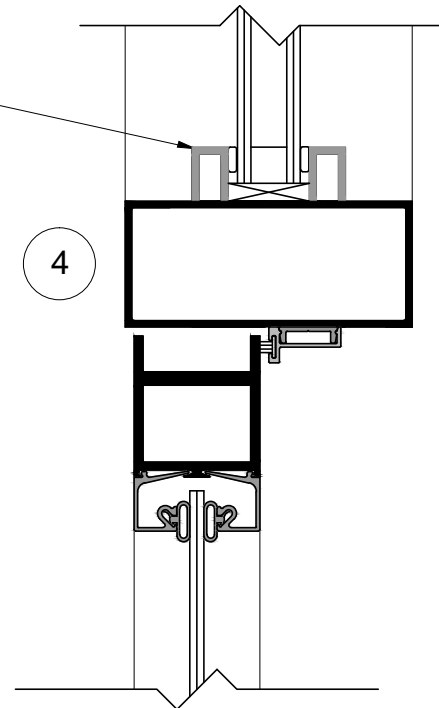
B10



- 1 3/4" (45MM) X 4" (100MM) TUBE AND STOP FRAMING SYSTEM.
- SYSTEM HAS 1/2" (13)X 3/4" (19) REMOVABLE GLASS STOPS WHICH ENABLE SEALED UNIT OR SINGLE GLAZING.
- PRIMARILY USED FOR INTERIOR AND VESTIBULE FRAMES, HOWEVER, THE SEALED UNIT GLAZING MAKES THIS SYSTEM A LOW COST ALTERNATIVE FOR STOREFRONTS.
- TOTALLY COMPATIBLE WITH THE DESA 100,350 AND 500 SERIES ENTRANCE DOOR PACKAGES.
- CLEAR AND BRONZE ANODIZED FINISHES ARE STANDARD. OTHER FINISHES ARE OPTIONAL.



SEALED UNIT OR
SINGLE GLAZING
AVAILABLE



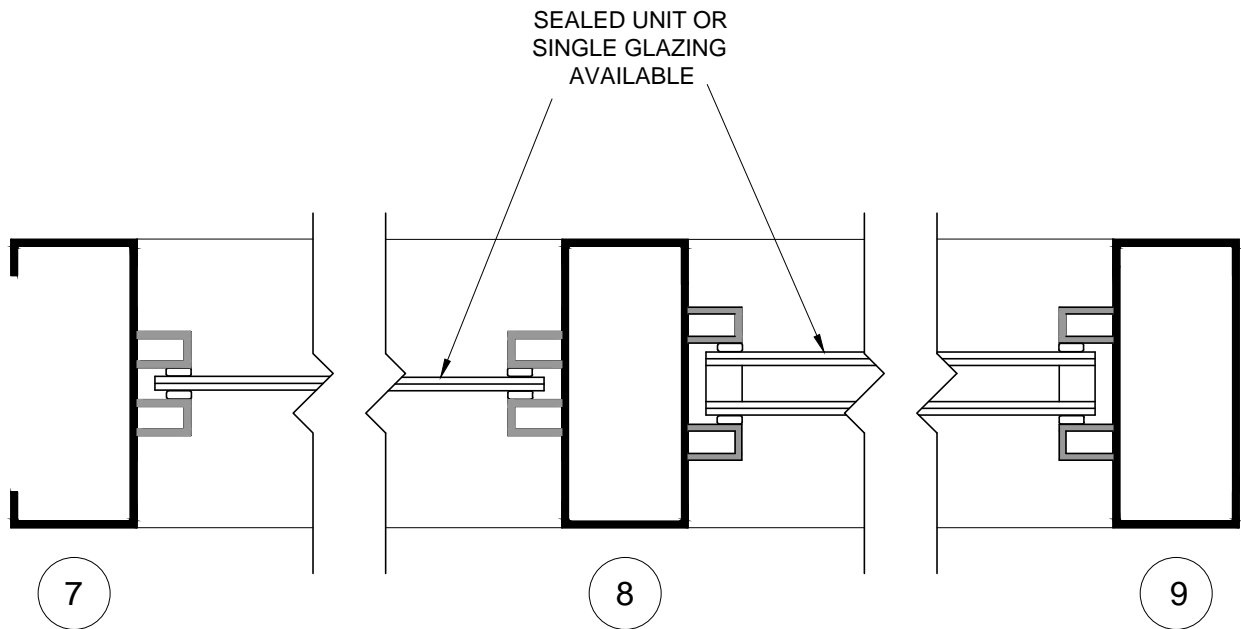
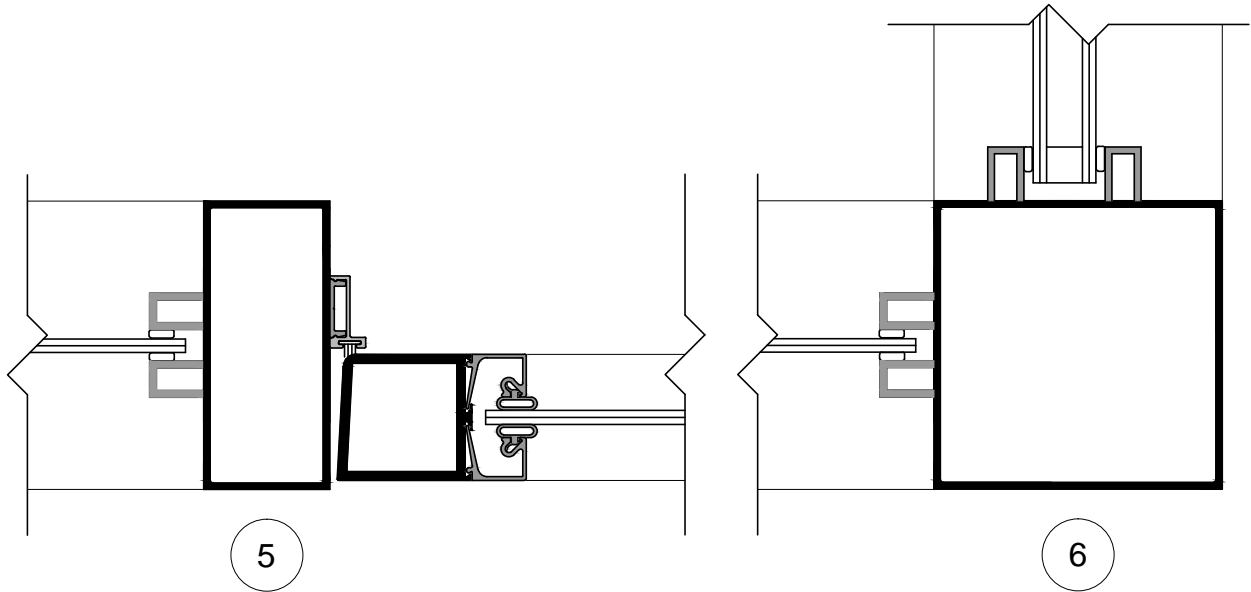
SCALE: 3/8" = 1"



providing innovative solutions that meet client needs.

400 SERIES TUBE & STOP DETAILS

B11



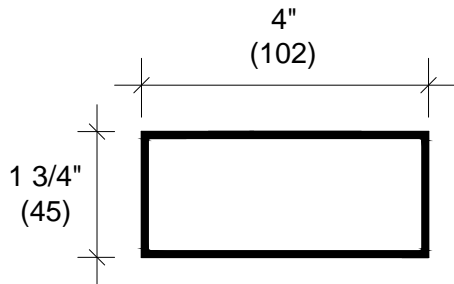
SCALE: 3/8" = 1"



providing innovative solutions that meet client needs.

400 SERIES TUBE & STOP FRAMING PARTS

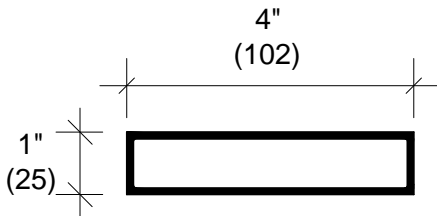
B12



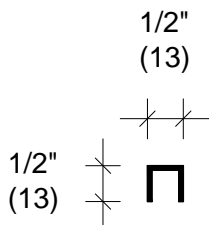
D401
CLOSED BACK
TUBE



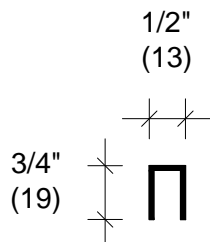
D402
OPEN BACK
TUBE



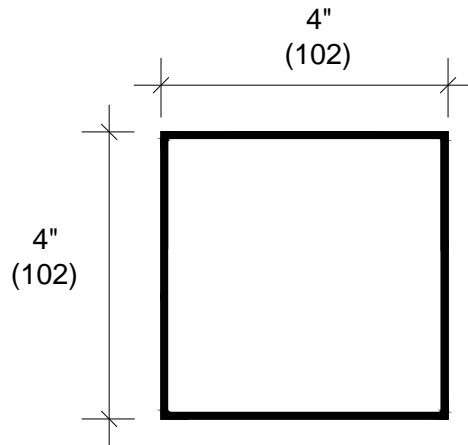
D409
CLOSED BACK
TUBE



D408
SCREW APPLIED
STOP



D403
SCREW APPLIED
STOP



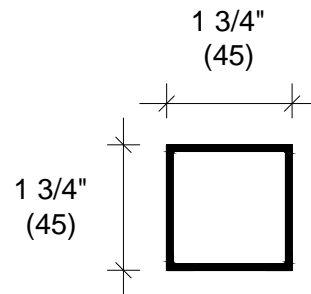
D405
SQUARE
TUBE



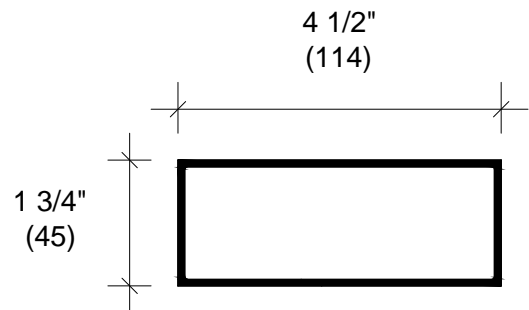
F2008
DOOR STOP
COVER



F2009
DOOR STOP
BASE



D406
1 3/4 X 1 3/4
TUBE



D407
CLOSED BACK
TUBE

SCALE: 3/8" = 1"



providing innovative solutions that meet client needs.