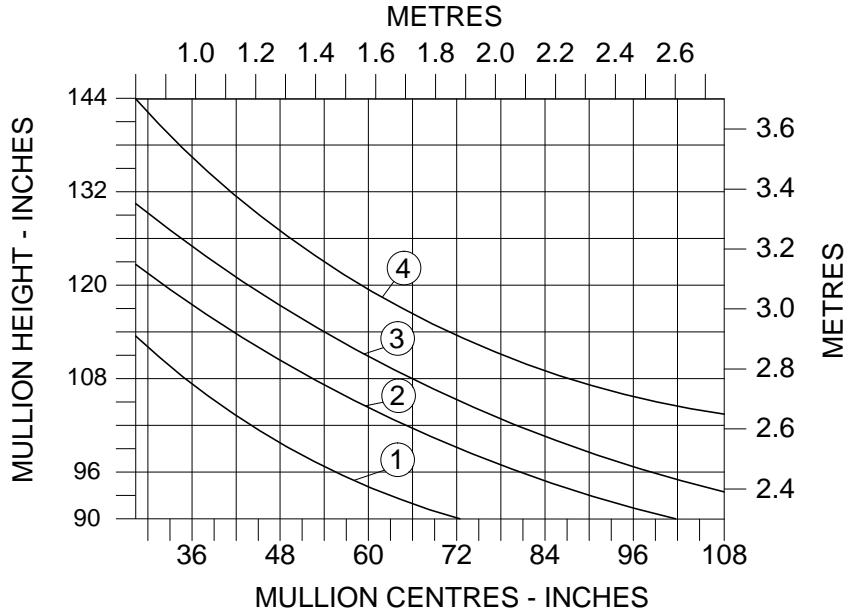
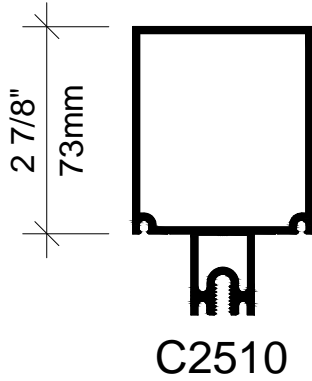
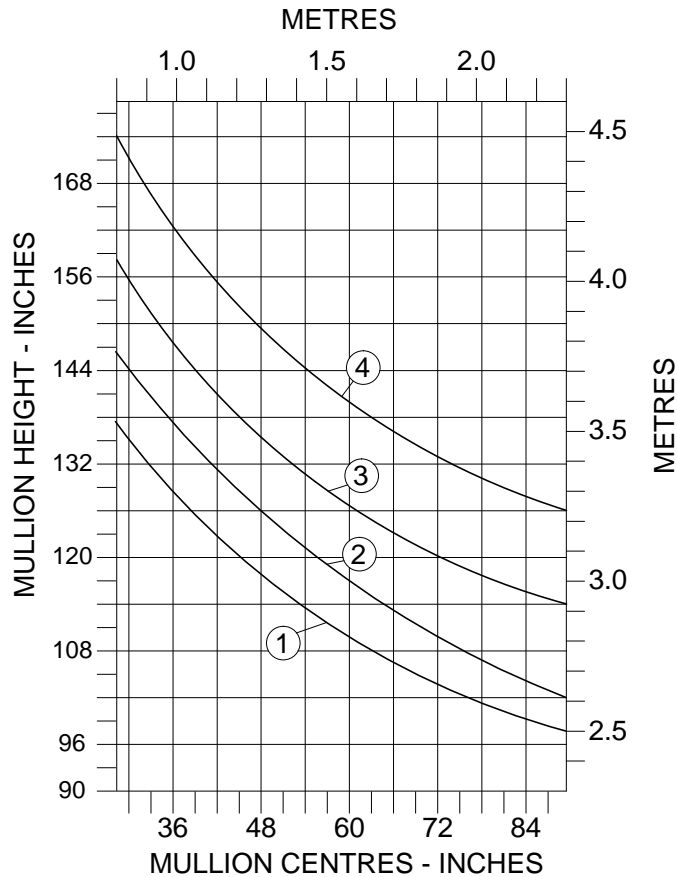
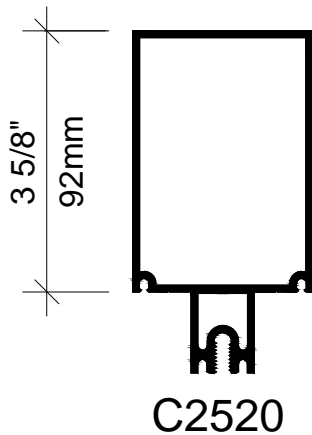


2500 SERIES CURTAIN WALL WIND LOAD CHARTS

E20



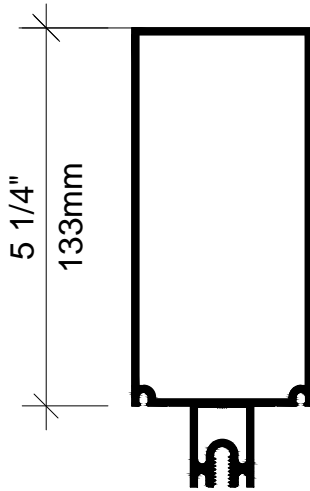
- ① - 1.44 kPa (30 PSF)
- ② - 1.20 kPa (25 PSF)
- ③ - .92 kPa (20 PSF)
- ④ - .72 kPa (15 PSF)



providing innovative solutions that meet client needs.

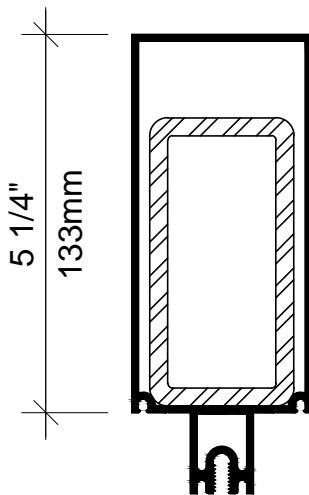
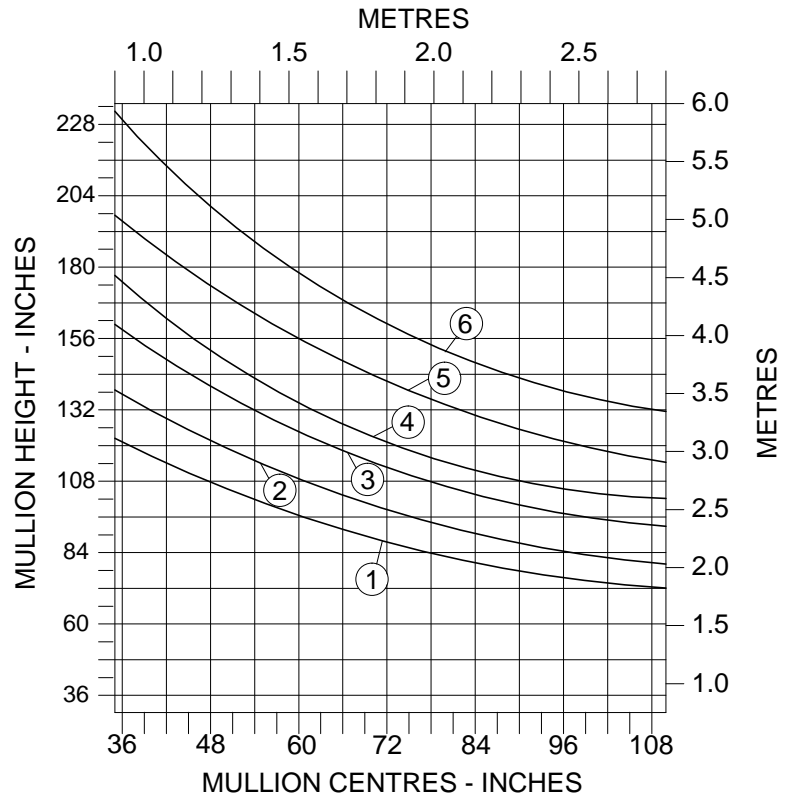
2500 SERIES CURTAIN WALL WIND LOAD CHARTS

E21



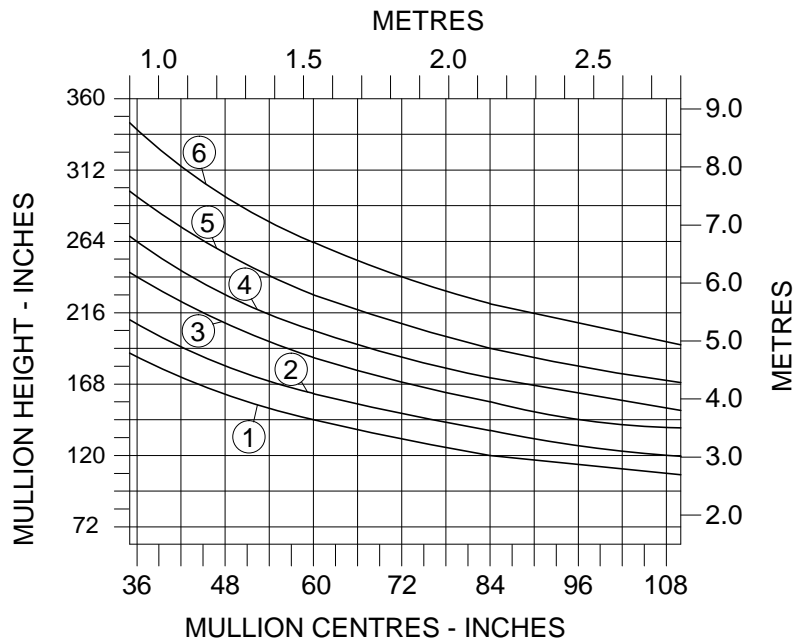
C2530

- ① - 2.40 kPa (50 PSF)
- ② - 1.92 kPa (40 PSF)
- ③ - 1.44 kPa (30 PSF)
- ④ - 1.20 kPa (25 PSF)
- ⑤ - .96 kPa (20 PSF)
- ⑥ - .72 kPa (15 PSF)



C2530

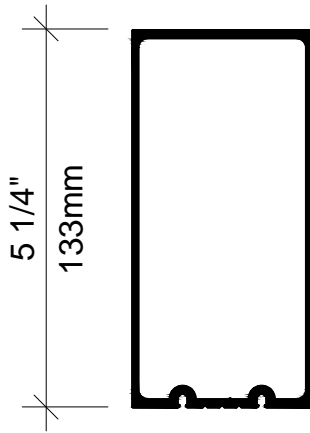
(C/W 4" X 2" X
1/4" HSS TUBE)



providing innovative solutions that meet client needs.

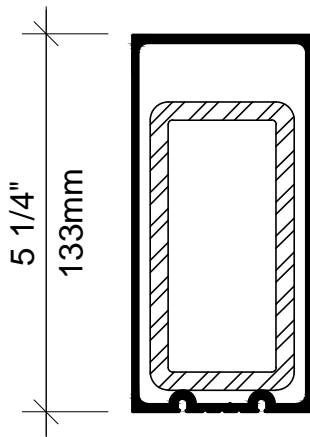
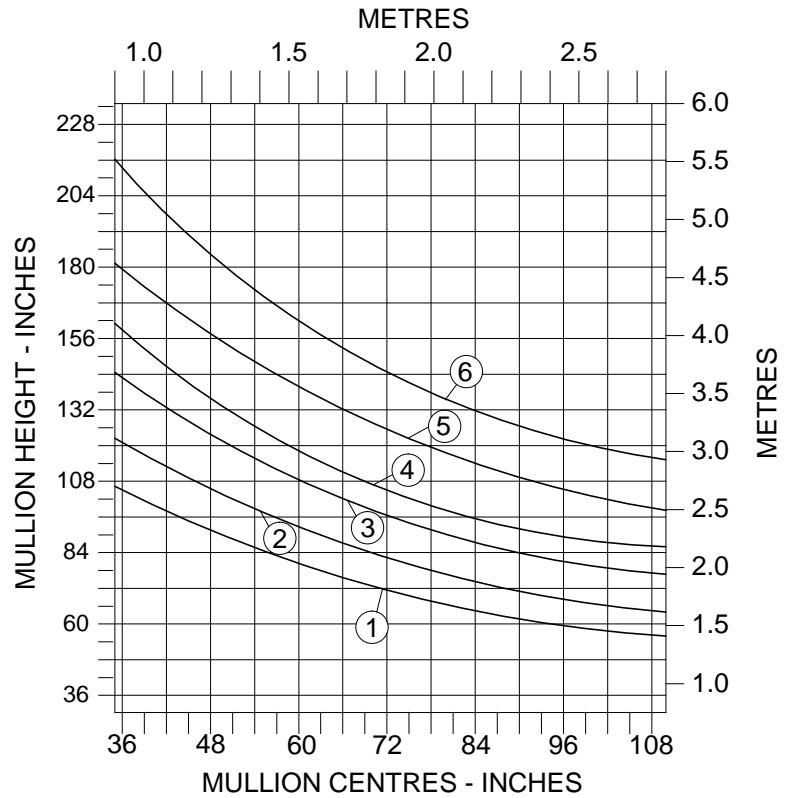
2500 SERIES CURTAIN WALL WIND LOAD CHARTS

E22



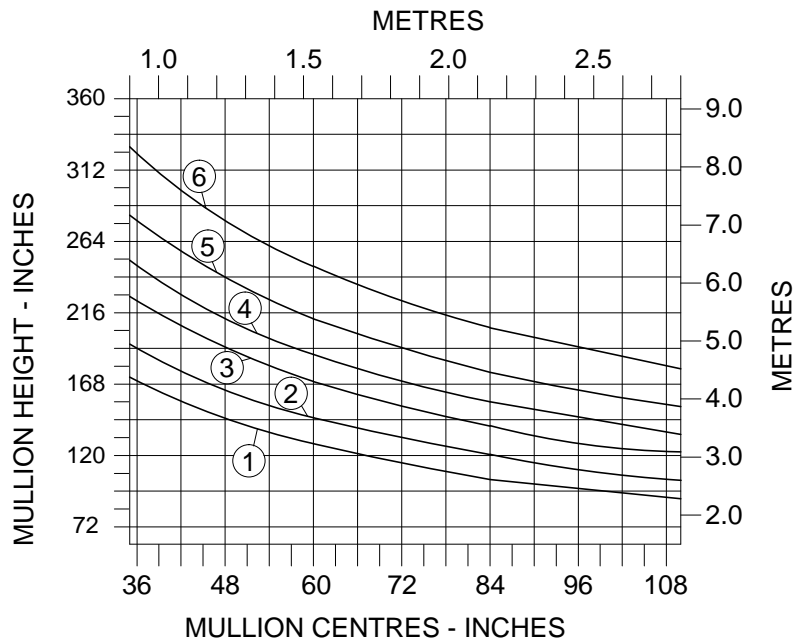
C2540

- ① - 2.40 kPa (50 PSF)
- ② - 1.92 kPa (40 PSF)
- ③ - 1.44 kPa (30 PSF)
- ④ - 1.20 kPa (25 PSF)
- ⑤ - .96 kPa (20 PSF)
- ⑥ - .72 kPa (15 PSF)



C2540

(C/W 4" X 2" X
1/4" HSS TUBE)



providing innovative solutions that meet client needs.